

 Digital Signage

melford ADVERTISING DISPLAY

19" Android advertising display - high-definition, tablet-like display with a steel enclosure and tempered glass

High-definition 1080p IPS panel with a wide viewing angle

Designed for 24/7 commercial use

High image quality and colour accuracy

Integrated Android media player

Eco power timer and low power consumption

Multiple connection inputs

ADDITIONAL FEATURES



Wall mount included



Plug and play



Optional network upgrade



450 cd/m² IPS panel



Giant tablet styling



LED backlight



Landscape or portrait orientation



Scheduling software included

melfordtechnologies.com



Presenting the Melford Advertising Display range

melford



PLUG AND PLAY



INTEGRATED ANDROID
MEDIA PLAYER

VIPS

IPS PANEL



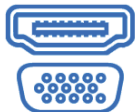
24/7 COMMERCIAL GRADE



LANDSCAPE OR PORTRAIT
ORIENTATION



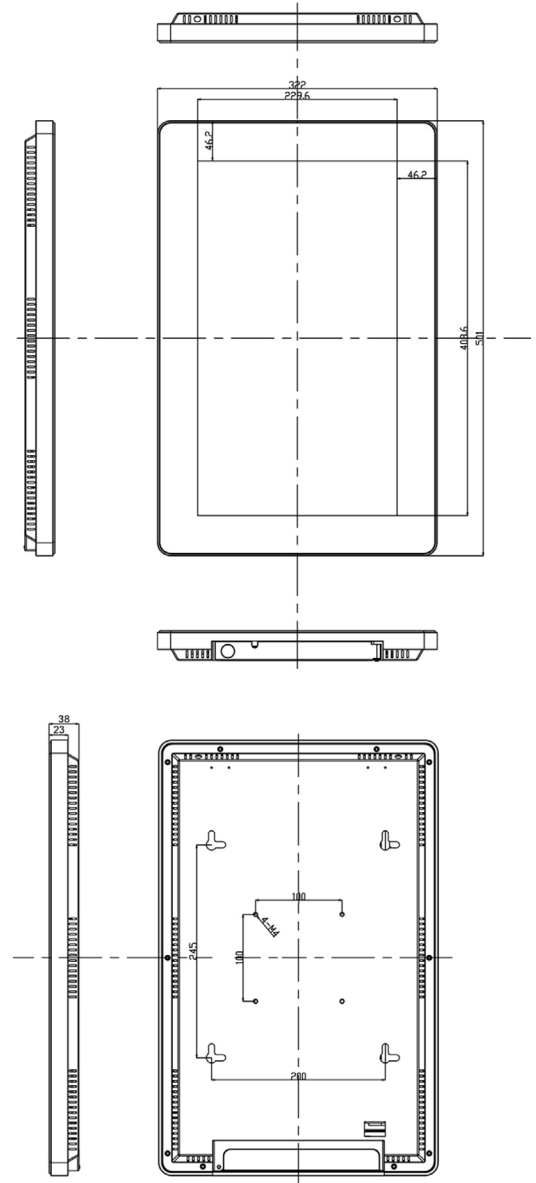
CONNECT DEVICES



LED BACKLIGHT



OPTIONAL NETWORK UPGRADE



melford

19 Inch

Panel	Resolution	1920 x 1080
	Display Area (mm)	408.6 x 229.6
	Aspect Ratio	16:9
	Brightness (cd/m ²)	450
	Colour	16.7M
	Viewing Angle	178°
	Contrast Ratio	5000:1
Audio	Speaker Type	5W, 8Ω (x2)
AV Inputs	Video	HDMI, VGA
	Audio	Audio Socket (3.5mm)
Power	Power Consumption (W)	16
	Input Voltage	AC110~240V (50Hz~60Hz)
Mechanical	Unit Size (WxHxD mm)	501 x 322 x 35.2
	Package Size (WxHxD mm)	578 x 418 x 118
	VESA Holes (mm)	100 x 100
	Net Weight (kg)	6.3
	Gross Weight (kg)	7.35
Environmental	Operating Temperature	0°C to 50°C
	Storage Temperature	-30°C to 60°C
	Operating Humidity	10% to 80%
	Storage Humidity	5% to 95%
Computer	Media Formats	Video (MPG, AVI, MP4, RM, RMVB, TS), Audio (MP3, WMA), Image (JPG, GIF, BMP, PNG)
	Media Resolution	1920 x 1080 / 1080 x 1920
	CPU	Quad-Core ARM Cortex A17, 1.6GHz
	GPU	Quad-Core ARM Mali-T764
	RAM	DDR3 2GB
	ROM	8GB eMMC
	USB	1 x USB (OTG/HOST), 4 x USB (HOST)
	LAN	100M/1000M Ethernet (Network Version Only)
	Wi-Fi	802.11b/g/n/ac (Network Version Only)
	Bluetooth	Bluetooth 4.0
	OS	Android 7.1
	Graphic Engine	OpenGL ES 1.1/2.0/3.0/3.1, OpenCL 1.1, Renderscript, Direct3D 11.1
Accessories	Included	Special Wall Mount, Scheduling Software, Remote Control, Key, User Manual
	Optional	Network Upgrade, Touch Screen Version, Wall Mount, Floor Stand/Trolley, Ceiling Mount, Table Stand
Warranty	Warranty Period	3 Year Warranty
	Technical Support	Lifetime

Why Melford?

Melford Technologies have been offering innovative technology solutions for over 50 years.

We provide experienced professional design, project planning, configuration, deployment, and maintenance services for a full one stop shop.

We can assist with the design and manufacture of your digital signage solution from the blank piece of paper at the initial meeting through to installation and post-sales support.

Contact Us

+44 (0)1494 638 069

info@melfordtechnologies.com

melfordtechnologies.com

